

Coastal Industries Inc.

FAX NO.
(904) 641-1697

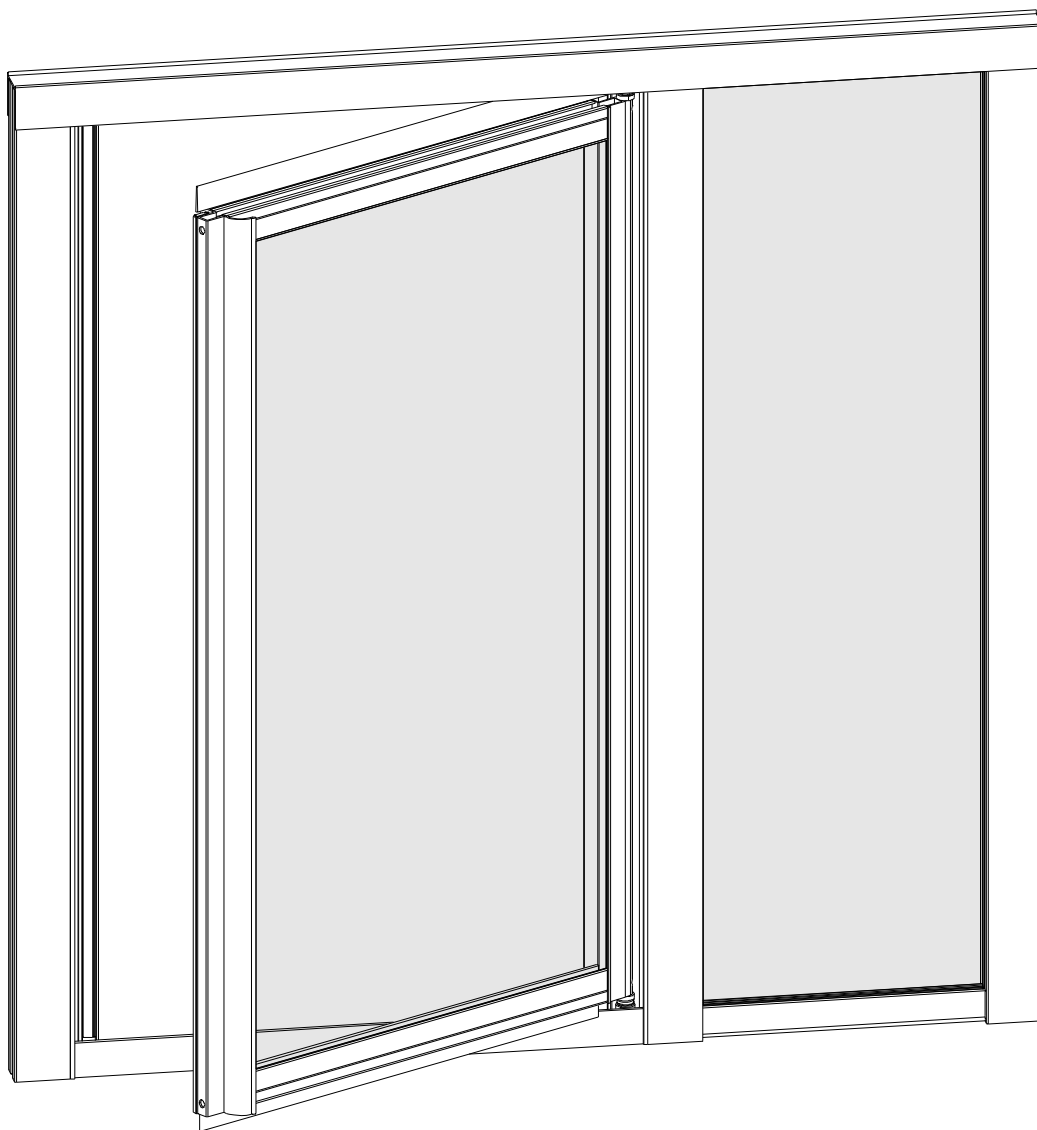
P.O BOX 16091
JACKSONVILLE, FLORIDA 32245

TELEPHONE NO.
(904) 642-3970

Legend

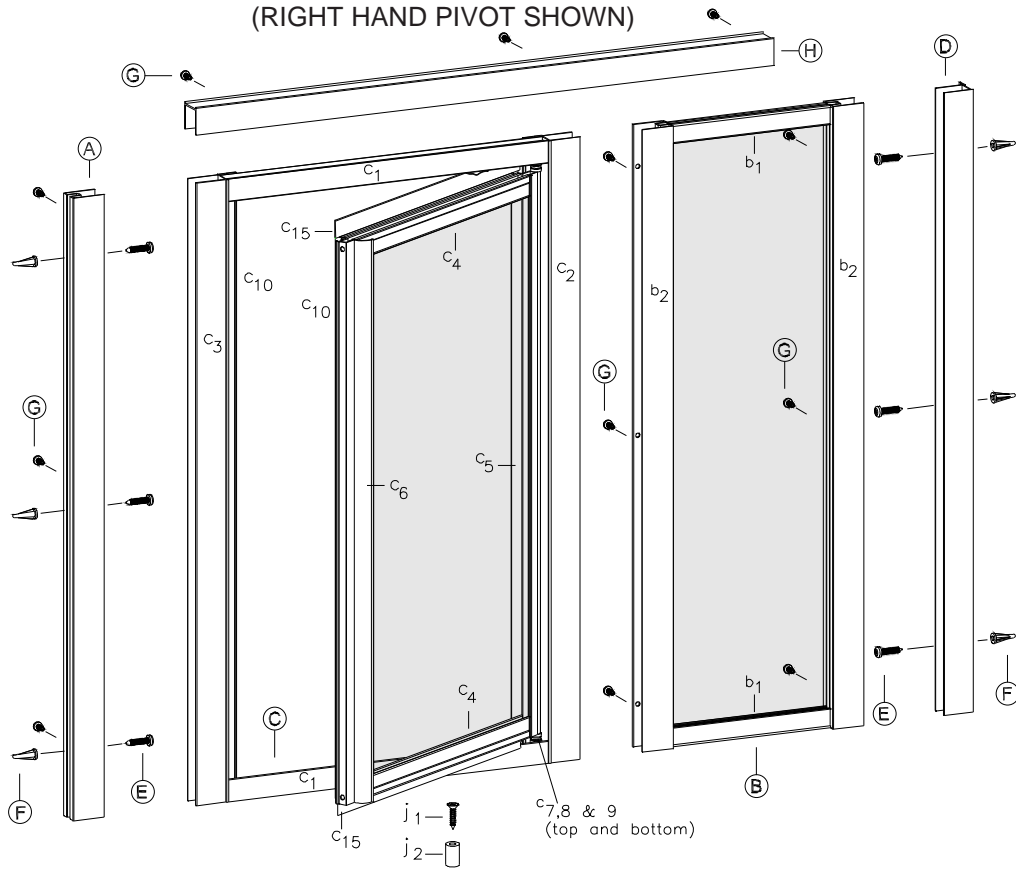
Inline panel shower enclosure
installation Instructions
(400 Series)

PATENTS PENDING



EXPLODED VIEW OF MODULAR INLINE PANEL

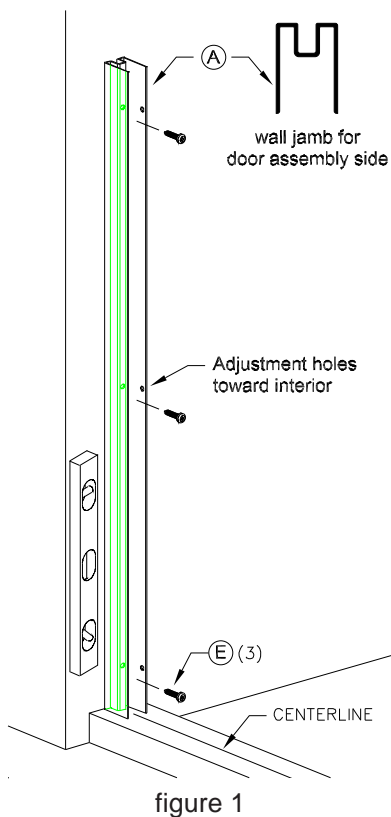
(RIGHT HAND PIVOT SHOWN)



PARTS LIST

KEY LETTER	PART NUMBER	DESCRIPTION	QUANTITY
A	404	WALL JAMB (door assembly side)	1
B	----	INLINE PANEL ASSEMBLY	1
b1	235	Panel Rails	2
b2	404	Panel Expander Jamb	2
b3	6112PHS	Panel Assembly Screws (not shown)	4
b4	C 154 B	Panel Glazing Vinyl (not shown)	---
C	----	DOOR FRAME ASSEMBLY	1
c1	440	Door Frame Header / Sill	2
c2	442	Door Frame Pivot Post (no magnet)	1
c3	442	Door Frame Strike Post (with magnet)	1
c4	227	Door Panel Rails	2
c5	429	Door Panel Pivot Stile	1
c6	226	Door Panel Strike Stile	1
c7	CP201	Pivot Pin (not shown)	2
c8	CP209	Pivot Bushing	2
c9	FW 10-093	Plastic Pivot Washer	2
c10	98-42	Magnetic Strips (not shown)	2
c11	5112FHSL	Door Panel Assembly Screw (not shown)	4
----	----	(designation not used)	---
c13	6112PHS	Door Frame Assembly Screw (not shown)	4
c14	C 173 B	Door Glazing Vinyl (not shown)	---
c15	C176B	VINYL SWEEP (top and bottom)	2
D	402	WALL JAMB (inline panel side)	1
E	8112	#8 x 1-1/2" PAN HEAD PHILLIPS SCREW	6
F	1329	PLASTIC SCREW ANCHOR	6
G	812QPT	#8 x 1/2" SELF DRILLING QUAD SCREW	12
H	447	HEADER	1
J	----	CHSL-KIT (Lite)	1
j1	634FHP	#6 Flat Head Phillips Screw	1
j2	SP116B	Nylon Bushing	1

STEP 1
Position Door Assembly Side Wall Jamb



Determine and mark the curb centerline as shown in figure 1.

Decide which configuration best suits your needs

door assembly on left / inline panel on right
 OR
inline panel on left / door assembly on right

Your choice (of door location above) will determine which wall you will attach the 404 wall jamb to.

With adjustment holes facing toward the interior of enclosure, position Wall Jamb (A) up against the shower wall . . . and center it on the centerline mark. Use a level to plumb the Wall Jamb. Using the Wall Jamb's installation holes as guides, drill the three 1" deep installation holes on the wall.

Use a 3/16" masonry bit when drilling through ceramic tile, marble or any masonry type surface. Insert Plastic Screw Anchors (F). Otherwise use a regular 1/8 drill bit and discard Plastic Anchors. Secure Wall Jamb with three (3) #8 x 1-1/2" pan head screws (E).

figure 1

STEP 2
Measure Door Assembly width, then position and secure CHSL-KIT on curb base

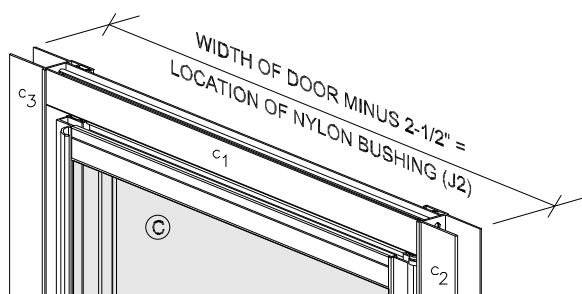


figure 2

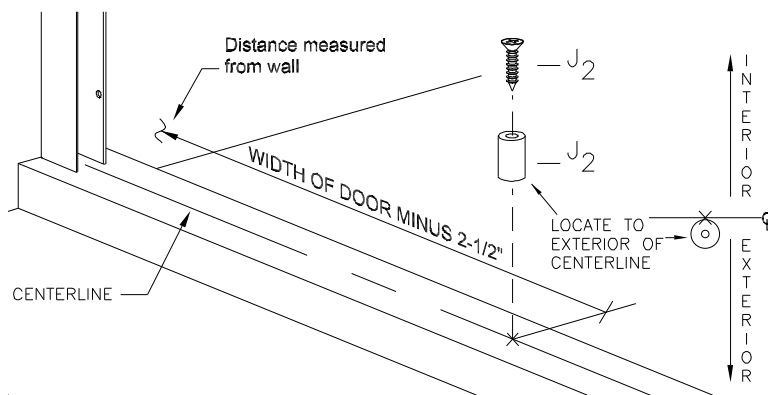


figure 2a

Measure the width of Door Assembly (C) as shown in figure 2, then mark the CHSL-KIT (J) location as shown in figure 2a. Please note that Vinyl Bushing (j2) **IS NOT** centered on the centerline, but is located tangent and to the outside of the centerline as shown in figure 2a. Secure Nylon Bushing (j2) to curb base using the #6 Flat Head Phillips Screw (j1) provided.

STEP 3
Install Door Assembly

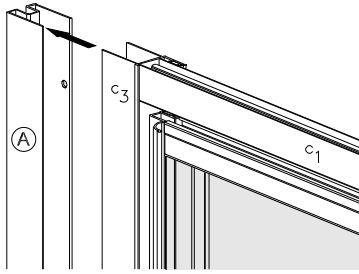


figure 3

Detail shows strike on wall side and pivoting at panel, see exploded view on sheet 2 also. Cartwheel the door assembly 180 degrees if you want strike on panel side and pivoting on wall side.

Lift Door Assembly onto base ledge and over the CHSL-KIT Assembly (J), then slide the Door Frame (C) into Wall Jamb (A).

Whether the door strikes at wall side or pivots at wall side, always double check to make sure that the door swings out.

Leave door assembly there temporarily and do not fasten at this time.

STEP 4
Insert Inline Panel Wall Jamb and Position Inline Panel

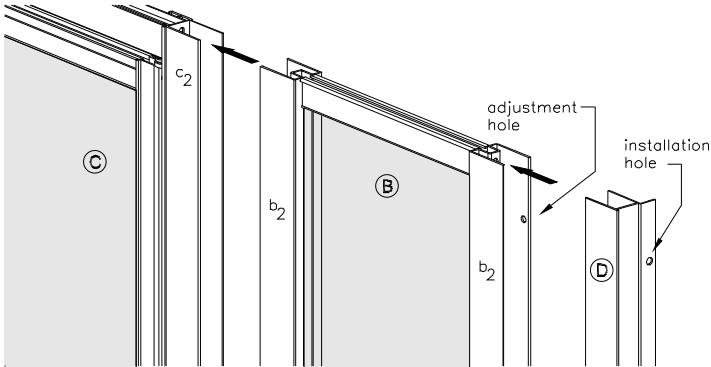


figure 4

Detail shows strike on wall side / pivoting at panel, see also exploded view on sheet 2

With the installation holes on the same side as the panel's adjustment holes (see figure above), insert the Inline Panel Wall Jamb (D) into the Inline Panel's Expander Jamb (b2) as shown. Bury the Wall Jamb into the Panel as far as it will go.

Lift Panel Assembly onto base ledge and position the Panel's Expander Jamb (b2) over the Door Frame's vertical post (c2) . . . insert Panel Assembly (B) onto Door Assembly (C) as far as it will go.

Double check to make sure that the shower assembly is centered and squared on the base curb.

STEP 5
Insert Inline Panel Wall Jamb and Position Inline Panel

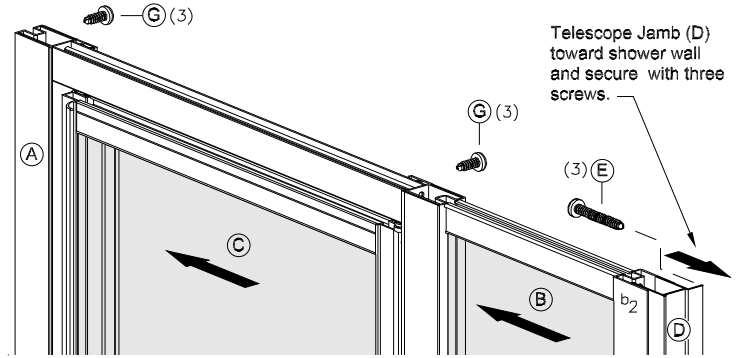


figure 5

Frame Assembly (C) should be pushed up against Wall Jamb (A).

Panel Assembly (B) should in turn be pushed up against Frame Assembly (C).

Now step inside the shower enclosure and secure the unit to the remaining shower wall by telescoping the Inline Panel Assembly side Wall Jamb (D) up against the shower wall as shown. Secure Wall Jamb (D) with three Installations Screws (E).

Finish securing the Frame and Panel Assemblies. Use three Adjustment Screws (G) to secure Wall Jamb (A) to Frame Assembly (C). Next use three Adjustment Screws (G) to secure Panel Assembly (B) to Frame Assembly (C).

STEP 6
Install Header and Caulk outside of Unit.

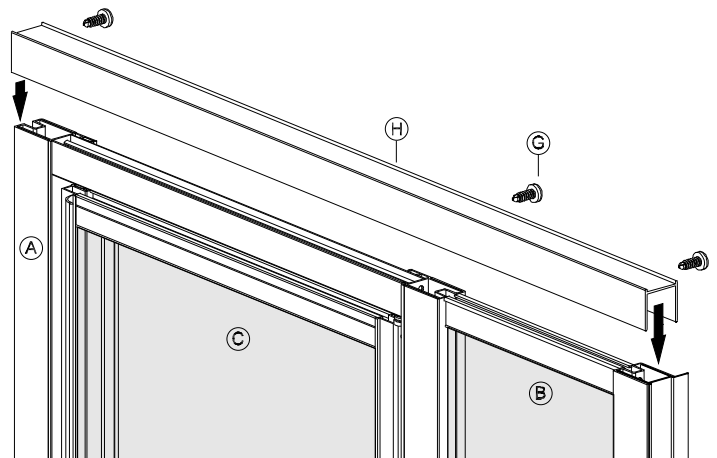


figure 6

Measure opening width at top of unit and trim Header (H) to length minus 1/16 of an inch. Position Header (H) into place as shown in figure 6 above and secure utilizing three (3) self drilling screws (G).

TO ENSURE A LEAK PROOF INSTALLATION:
Run a bead of clear mildew resistant caulking around the outside of shower enclosure where shower unit meets the shower base and where Wall Jamb meets the wall. Follow caulking manufacturer's instructions before using shower.